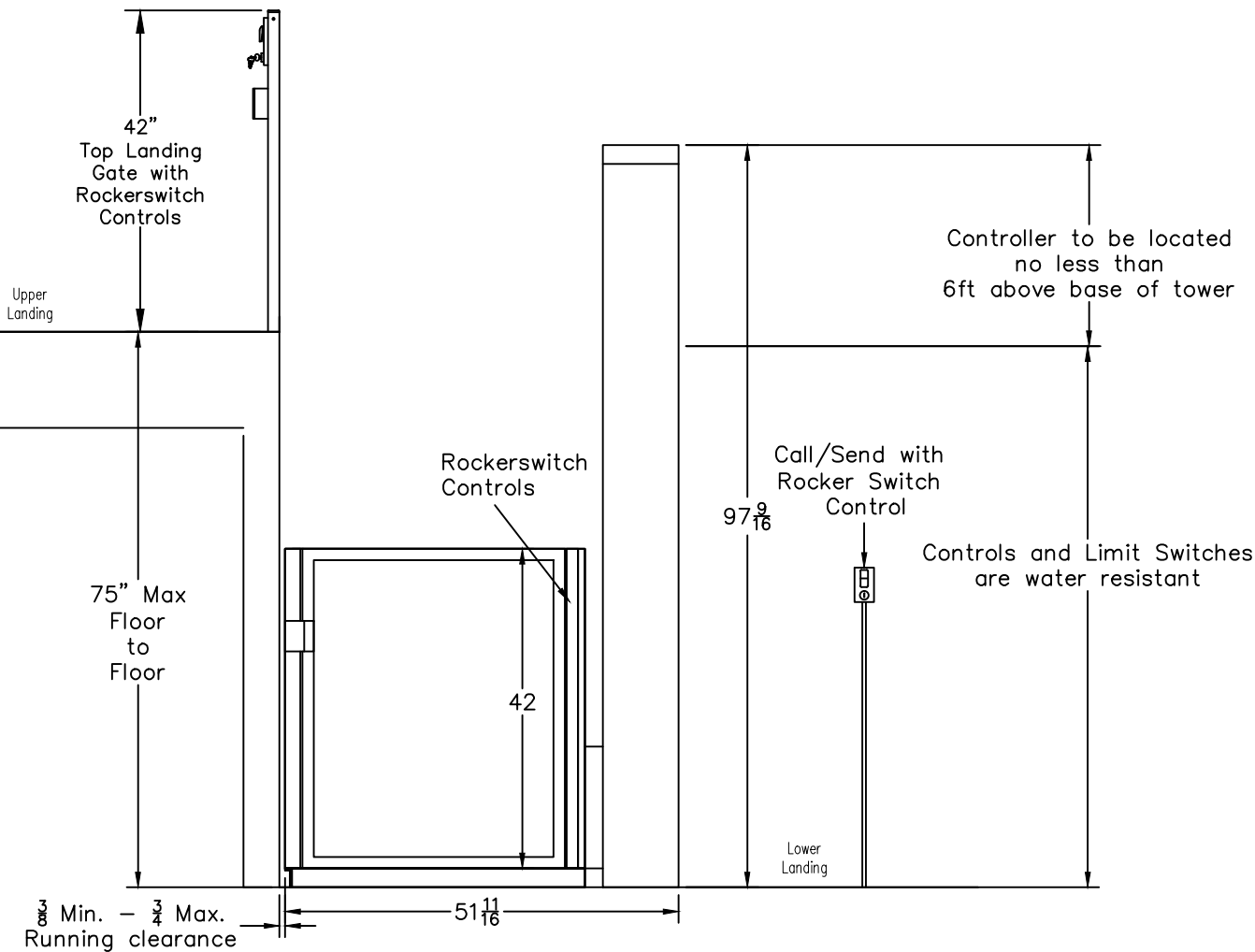


PLAN VIEW
RIGHT HAND UNIT



ELEVATION VIEW
RIGHT HAND UNIT

TECHNICAL DATA/SPECIFICATIONS

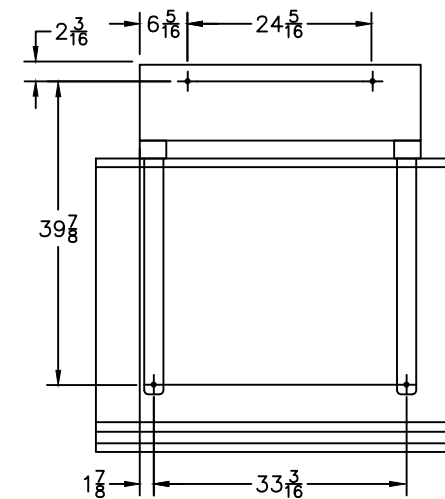
RATED LOAD: 750 lb (340 kg) maximum.
POWER SOURCE: Check applicable local codes for all electrical and wiring requirements. If it is determined that a GFI (Ground Fault Interrupter) outlet is required; use a GFI 120V, 15A, 60 Hz single phase circuit to operate the internal battery charger (charger draws 3A max.). National Electrical Code requires a GFI is used in all outdoor or wet environment applications.
DRIVE: 1/2 hp motor, 1750 rpm, 24 VDC permanent magnet, 20 full load amps, continuous duty.
INTERMEDIATE REDUCTION: Dual 4L style Poly-V belts and pulleys, 3.94:1 pulley reduction.
FINAL DRIVE: 1" (24.5 mm) diameter ACME screw with bronze nut and bronze safety back up nut.
MOTOR CONTROLLER: 24 VDC Relay control with 35A circuit breaker.
BRAKING: Precision landing control.
STANDARD CONTROL: Up and down rocker switch, continuous pressure, key switch control
EMERGENCY STOP SWITCH: Red, sealed, 1.55" (39 mm) diameter mushroom head, push to stop, pull to reset.
SPEED: 10 ft/min (0.05 m/s) maximum.
UNDER CARRIAGE SAFETY: Totally enclosed bottom formed steel safety pan
LIMIT SWITCHES: Adjustable upper and lower limit switches and upper final limit switch.
 For complete technical specifications please see ILS-00834 "VPL-3100 Residential Vertical Platform Lift Technical Specifications"

U.S. F.D.A. CLASSIFICATION: Class II, 510(K) exempt, CLASSIFICATION NUMBER: 890.3930, PRODUCT CODE: PCE
 ETL-Intertek C-US Listed: Control Number 4004689

PERFORMANCE STANDARDS

- ASME A18.1-2014 (Sec. 5) Safety Standards for Platform Lifts and Stairway Chairlifts
- CSA B355-15 Lifts for Persons with Physical Disabilities
- CSA B44.1-14/ASME A17.5-2014 Elevator and Escalator Electrical Equipment
- NFPA 70-2017 National Electrical Code

ANCHOR POINT LOCATIONS



TECHNICAL SPECIFICATIONS

FLOOR RECOMMENDATIONS: 4" (102mm) thick, 3500 PSI minimum compressive strength, reinforced concrete slab. Refer to technical drawings for minimum slab dimensions. If the temperature can fall below freezing, it is recommended that you insert an insulation sheet between the concrete slab and the compacted rock.

FLOOR ATTACHMENT: The VPL must be fastened to the concrete slab using four 1/2" (3/8" bolt) X minimum 2-1/2" long concrete anchors suitable for the environment. Follow the selected concrete anchor manufacturer's guidelines, and all applicable codes.

HOUSING ATTACHMENT: None required. You can use the 5/16-18 tapped holes on the tower frame work to fasten the tower housing to a vertical wall for additional stability.
 Note: The housing must remain intact.

OPTIONS INCLUDED

- Model Number: VPL-3175B (75 in max height-battery powered)
- Battery Package: 17AH package (std)
- Application: Unenclosed (No Hoistway)
- Number of Landings: 2-Stop
- Hand of Unit: Right hand
- Platform Configuration: 90 Deg (Adjacent)
- Platform Size: 36 x 54
- Platform Controls: Rocker Switch
- Platform Gate/Ramp: LH platform gate with ramp
- Lower Landing Controls: Rocker Switch (LC)
- Upper Landing Entrance/Exit: LH 36 in EMI Top Gate
- Door/Gate Panel: Clear Plexiglass (Gate)
- Upper Landing Controls: Rocker Switch
- EMI = Electro Mechanical Interlock/ESI = Electric Strike Interlock
- 2nd Handrail: None (std.)

NY-2034
 ALPHA CARE SUPPLY
 VALLEY STREAM, NY

Quote# 285643

Customer: 715 OCEAN VIEW

CSS 08/16/2017

Bruno Independent Living Aids, Inc., 1780 Executive Drive, P.O. Box 84, Oconomowoc, WI 53066
 Phone (800) 882-8183 Fax (262) 953-5505

Any reproduction or other use of these materials without written permission of Bruno Independent Living Aids, Inc. is expressly prohibited. Bruno Independent Living Aids, Inc. reserves the right to modify or make changes to these specifications at any time with out notice.

