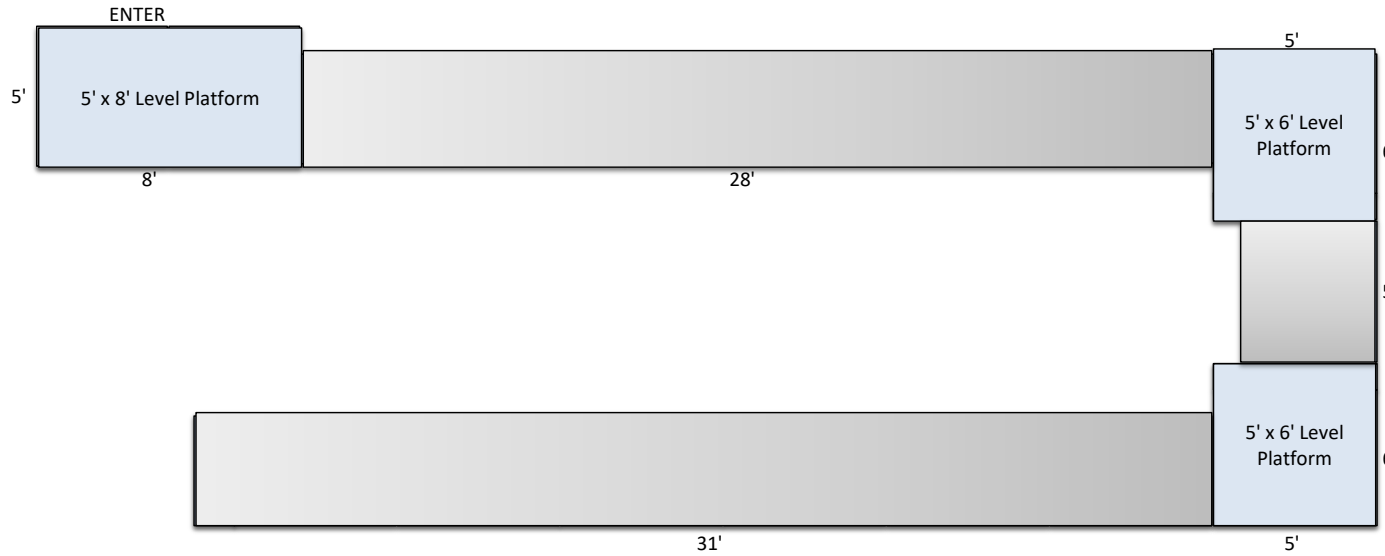


DEALER:
Alpha Care Supply

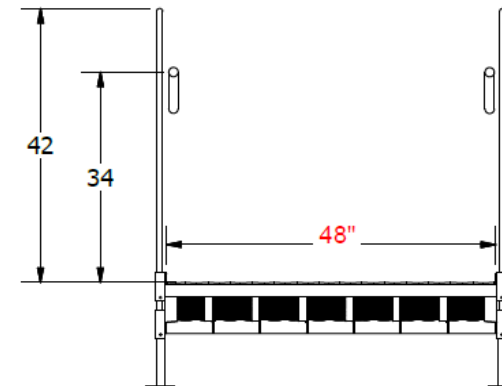
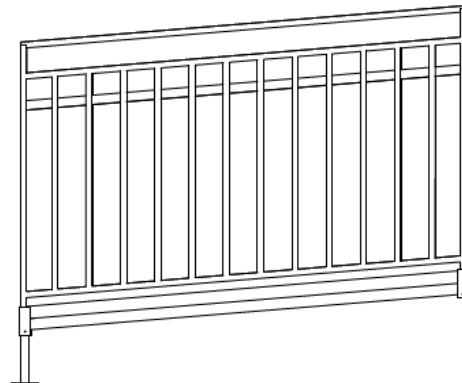
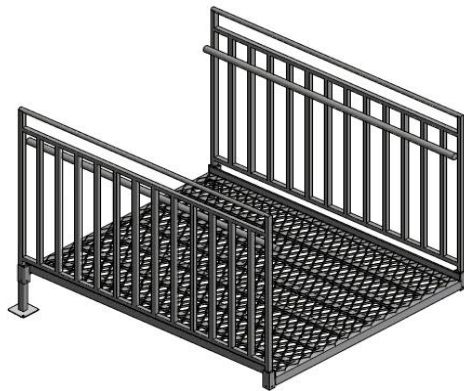
JOB NAME:
6A Melba Opt4



CONFIRM SPECS:

- ELEVATION: Inches
- LENGTH Feet
- Width: Inches
- Dual Rails
- Picket Rails:
- Grasping Rails:
- PreWelded Rails:
- Powder Coated:
- Shade:

Other: Specify:



Signed: _____

Date: _____

File Number _____